

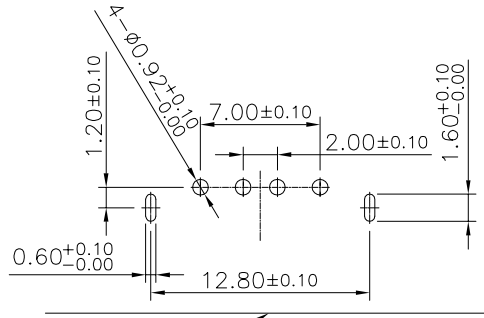
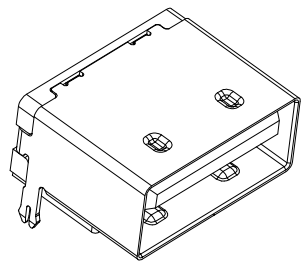
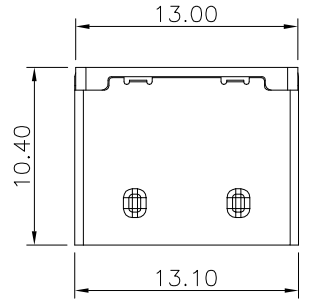
文件
分发
生管
业务
品保
QA
IQC
生技
注通
加工
冲压
资料
工程
仓库
IPQC

Pb
Process Capable

RoHS Compliant
2013/95/EC

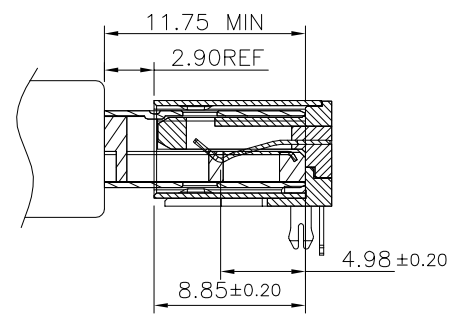
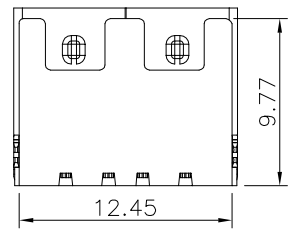
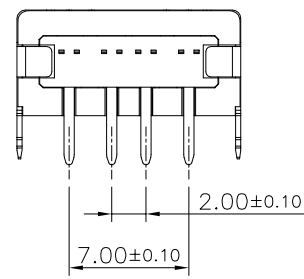
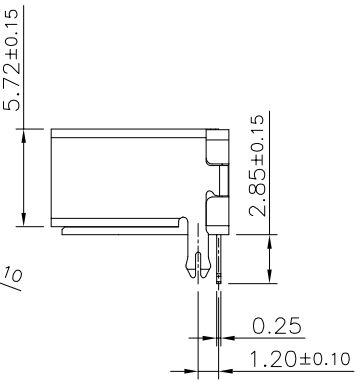
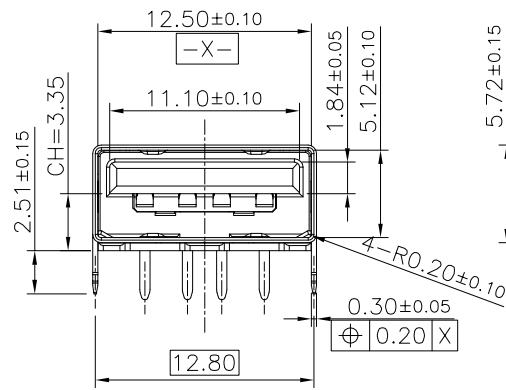
HSF

Pin #	SIGNAL NAME	DESCRIPTION
1	VBUS	POWER
2	D-	USB 2.0 DIFFERENTIAL PAIR
3	D+	
4	GND	GROUND FOR POWER RETURN



PCB EDGE
RECOMMENDED PCB LAYOUT
TOLERANCES: ±0.05

- NOTE:**
- MATERIAL:**
 - 1.1 HOUSING: HIGH TEMPERATURE PLASTIC, 94 V-0, WHITE;
 - 1.2 CONTACT: COPPER ALLOY (T=0.25mm)
 - 1.3 SHELL: SUS304 (T=0.30mm)
 - ELECTRICAL CHARACTERISTICS:**
 - 2.1 CONTACT RESISTANCE: 30mΩ Max
 - 2.2 CONTACT CURRENT RATING: 1.5A
 - 2.3 DIELECTRIC WITHSTANDING VOLTAGE: 500 AC FOR 1MIN
 - 2.4 INSULATION RESISTANCE 100 MEGOHMS Min
 - 2.5 OPERATING TEMPERATURE: -40° C ~ 85° C
 - MECHANICAL CHARACTERISTICS:**
 - 3.1 MATING FORCE: 35 N Max
 - 3.2 EXTRACTION FORCE: 4~35N
 - 3.3 DURABILITY: 10000 CYCLES
 - PLATING**
 - 4.1 TERMINAL CONTACT: (SEE TAB) GOLD PLATING ON CONTACT AREA AND 80u" MIN TIN ON SOLDER AREA, 50u" MIN NICKEL ALL OVER.
 - 4.2 SHELL: 50u" MIN. NICEL ALL OVER
 - PART NUMBER:**
1181-12XCP-22A
- 1: G/F
2: 5u"
3: 10u"
4: 15u"
5: 30u"
- 1: Tray
2: Tape reel



序号	产品料号	胶芯颜色
1	1181-12XCP-22A	白色
2	1181-12XCQ-22A	黑色

PowerCenter 力源科技 (香港) 有限公司
力源科技力郡电子 POWERCENTER TECHNOLOGY LIMITED

TOLERANCES UNLESS OTHERWISE SPECIFIED

UNIT	(MM)
X.	±0.50
X.X	±0.30
X.XX	±0.20
X.XXX	±0.10
ANGEL	±2'

3RD. ANGLE'S

ORIGINAL DATA	TITLE
2023.2.13	USB 2.0 A FEMALE DIP CH=3.55
DWN. YWL	
CHK. FCC	PART NO. 1181-12XCP-22A
APVD. FCC	DWG NO. 1181-121CP-22A

SCALE	SIZE
1:1	A4
SHEET	REV.
1/2	C

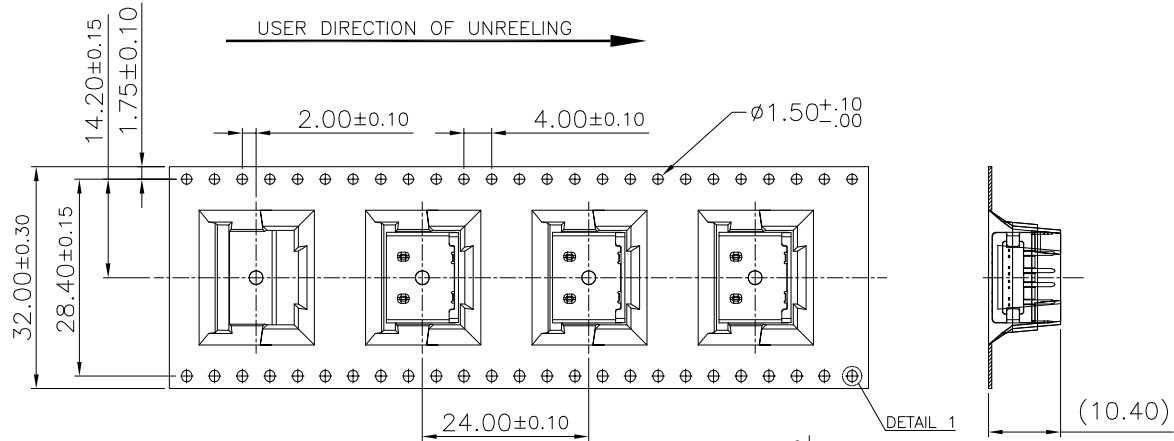
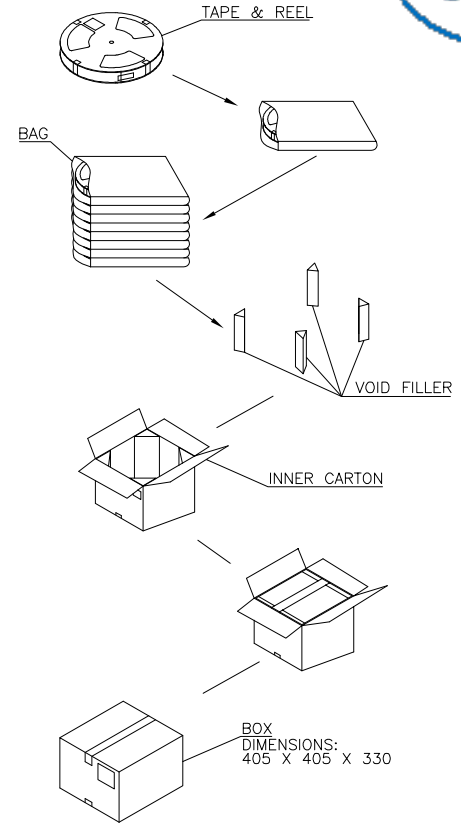
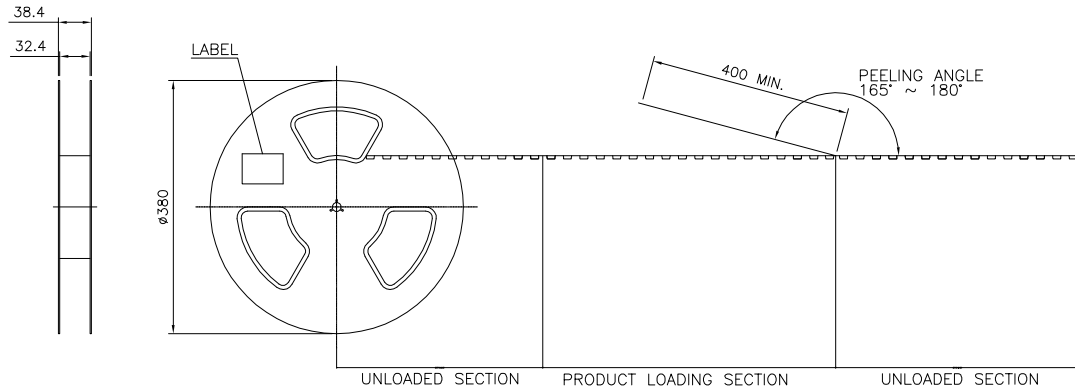
REV.	DESCRIPTION	ECN NO.	DWN.	CHK.	APVD.	DATE
C	更正胶芯颜色	20230704058	YWL	FCC	FCC	2023.07.04
B	修改护套结构改善避光	20230609052	YWL	FCC	FCC	2023.06.09
A	NEW DARWING		YWL	FCC	FCC	2023.2.13

文件
分发
生管
业务
品保
QA
IQC
生技
注製
加工
冲压
物料
工程
仓库
IPQC

Pb
Process Capable

RoHS Compliant
2013/95/EC

HSF



350	8	2800 PCS	-- KG	-- KG
PCS/ REEL	REELS/ CARTON	QUANTITY	GROSS WEIGHT	NET WEIGHT

NOTE:

- MATERIAL:
BOX: FIBREBOARD, CORRUGATED, DOUBLE WALL
TAPE: POLYSTYRENES, HEAT-RESISTANT TEMPERATURE: 120°C, BLACK COLOR.
REEL: POLYSTYRENES, HEAT-RESISTANT TEMPERATURE: 70°C, BLUE COLOR.
BAG: POLYETHYLENE, HEAT-RESISTANT TEMPERATURE: 100°C.
- PEELING STRENGTH: 0.1 ~ 1.3 N (10 ~ 130 GRAMS)
- PEELING SPEED: 300 mm/min.
- EACH BAG SHALL BE INCLUDED DESICCANT.

C	更正胶芯颜色	20230704058	YWL	FCC	FCC	2023.07.04
B	修改护套结构改善透光	20230609052	YWL	FCC	FCC	2023.06.09
A	NEW DARWING		YWL	FCC	FCC	2023.2.13
REV.	DESCRIPTION	ECN NO.	DWN.	CHK.	APVD.	DATE

TOLERANCES UNLESS OTHERWISE SPECIFIED

UNIT (MM)	
X	±0.50
X.X	±0.30
X.XX	±0.20
X.XXX	±0.10
ANGEL	±2'

3RD. ANGLE'S

PowerCenter 力源科技(香港)有限公司
力源科技力郡电子 力郡电子科技有限公司
POWERCENTER TECHNOLOGY LIMITED

ORIGINAL DATA	TITLE
2023.02.13	USB 2.0 A FEMALE DIP CH=3.55
DWN. YWL	
CHK. FCC	PART NO. 1181-12XCP-22A
APVD. FCC	DWG NO. 1181-121CP-22A

SCALE 1:1	SIZE A3
SHEET 2/2	REV. C